

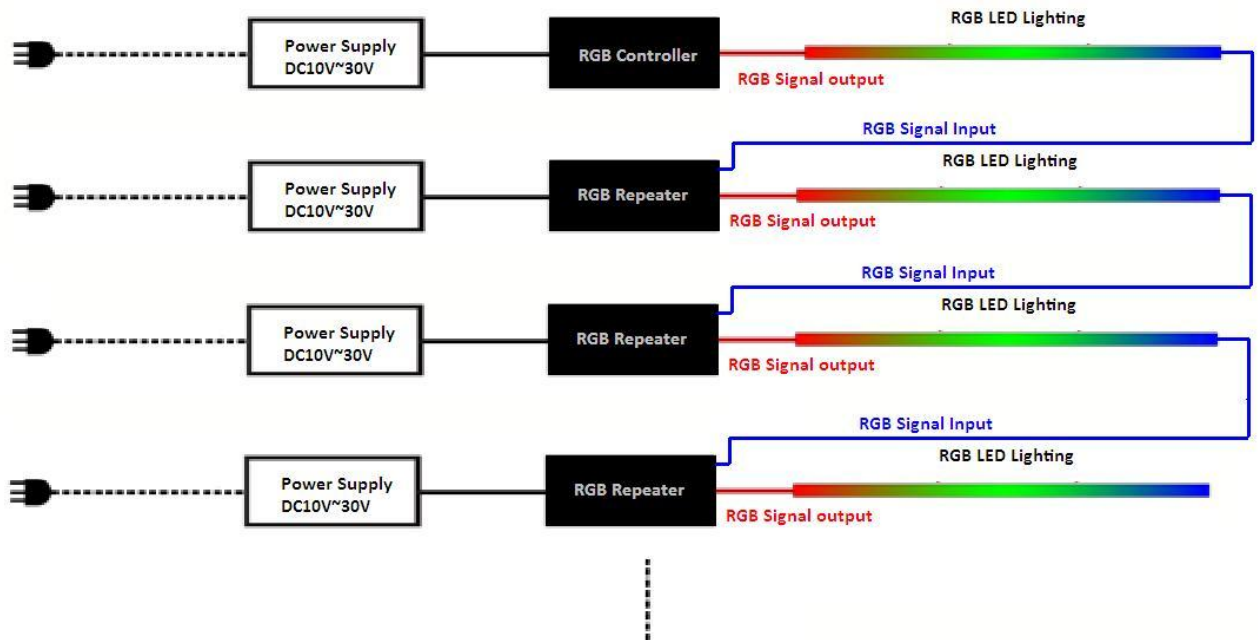
LED CONTROLLER APPLICATION NOTE



A. A RGB LED Controller connects a signal repeater by RGB LED Lightings for extension connecting.

****Application products:**

1. A RGB Controller: AWCL-300-6P-Audio or AWCL-120-6P;
(AWCL-300-6P-Audio Output power: DC12V/150W; DC24V/300W;
AWCL-120-6P Output power: DC12V/72W; DC24V/144W)
2. Signal repeaters: AWCL-300-R;
(AWCL-300-R Output power: DC12V/150W; DC24V/300W.)
3. LED Lightings;
4. Power supply DC10V~30V.



B. A RGB LED Controller connects a signal repeater by Wires for extension connecting.

**Application products:

1. A RGB Controller: AWCL-300-6P-Audio or AWCL-120-6P;
(AWCL-300-6P-Audio Output power: DC12V/150W; DC24V/300W;
AWCL-120-6P Output power: DC12V/72W; DC24V/144W)
2. Signal repeaters: AWCL-300-R;
(AWCL-300-R Output power: DC12V/150W; DC24V/300W.)
3. LED Lightings;
4. Power supply DC10V~30V.
5. Wires.

